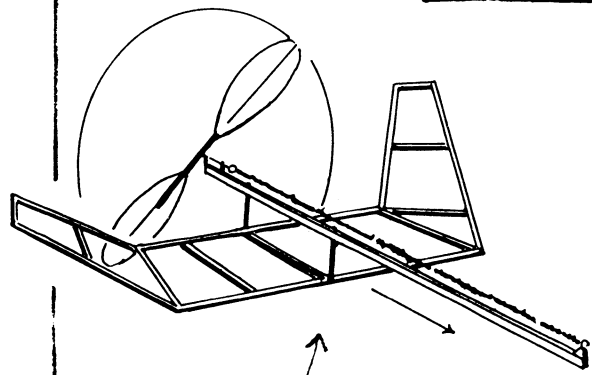


PROP TURNS LEFT - MODEL TURNS RIGHT

MOTOR STICK IS 9 1/16" LONG

BUILD PROPELLER ON THIS JIG



NOTE: EASY WING HAS NO VERTICAL FINS!

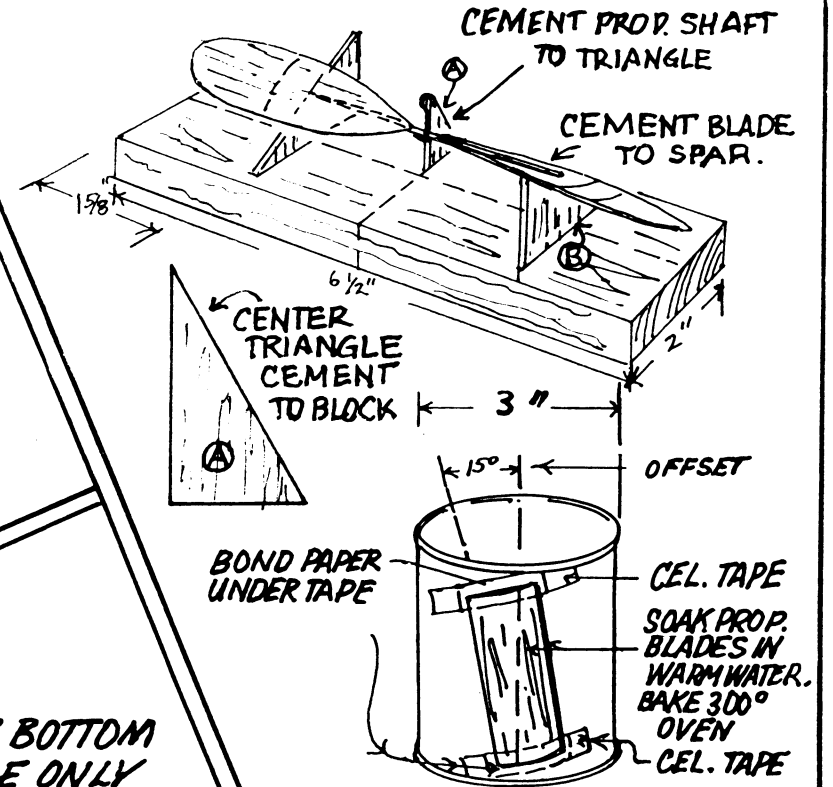
WING CONSTRUCTION IS 1/8" X 1/16"

COVER BOTTOM SIDE ONLY

AIRFOIL IS FLAT! 1/16" X 1/8"

COVER CENTER SECTION TOP ONLY

COVER BOTTOM SIDE ONLY



BACK VIEW SHOWING WING TWIST

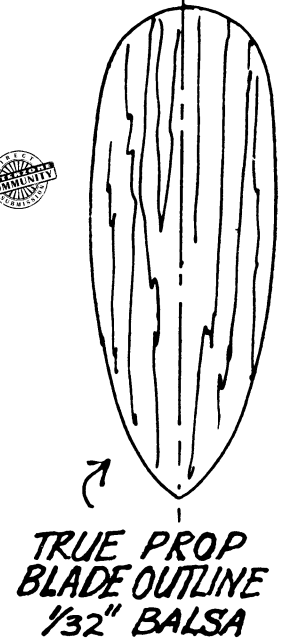
LEFT REAR UP

RIGHT REAR DOWN

WINGMOUNT 1/16" ROUND

BACK VIEW

PITCH TRIANGLES POSITION & GLUE 1/8" FROM END. MAKE 2



STANDARD INDOOR ALUM. PROP HANGER

.015 WIREPROP SHAFT

.040 X 16" RUBBER MOTOR

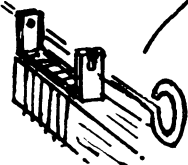
MODEL WT. - 2 GRAMS - W/O RUBBER

.015 WIRE FRONT HOOK 1/16" SPACER

TEFLON WASHER

1/16" ROUND Balsa MOTOR STICK - 1/16" X 1/8" X 9 1/16"

WRAP PROP. HANGER WITH THREAD AND CEMENT



NOT FOR OUTDOOR USE WITH THIS LIGHT CONSTRUCTION

LAUNCHING HANDLE - GRIP WITH FOREFINGER & THUMB -

BY KEN JOHNSON 11/16/93

Easy Wing 2
AFTER A DESIGN BY DICK BAXTER